

Steel and Metal
Bandsaw Machines
Mössner REKORD

www.moessner-kg.de

Analysieren. Entwickeln. Machen.



MÖSSNER BANDSAW MACHINES

100 YEARS EXPERIENCE IN CUTTING



For good reason Mössner Bandsaw Machines are used in all sectors of industry, mainly in the metal processing industry, for a wide range of cutting solutions.

Stable and low-vibration machine bodies, a powerful and at the same time efficient drive, solid mechanics, electronics and workmanship are characteristic features of all Mössner Bandsaw Machines. Thus, our machines guarantee quiet running, a long service life and longevity.

Mössner REKORD standard machines are designed and manufactured exclusively in our plant in Eschach and stand for quality "made in Germany".

Our bandsaw machines can be used universally, providing flexibility due to a large range of accessories and special equipment so that the machine can be specifically equipped for your requirements.

Do you need to cut unusual dimensions, workpieces or materials?
We would be pleased to test your workpieces in our test department.

Our goal is to design our bandsaw machines as efficient as possible by means of tools and special equipment to find an optimum solution for your specific needs.

Our team is ready to give advice on your particular demands – just call us!

YOUR CONTACT AT MÖSSNER

August Mössner GmbH + Co. KG

Hohenstaufenstraße 3
73569 Eschach - Germany

Phone +49 7175 99806-0
Fax +49 7175 99806-41
Website: www.moessner-kq.de



Sales standard machines

Ms. Ingrid Quintin

Phone no.: +49 7175 99806-72

E-mail: IngridQuintin@moessner-kq.de

Sales special machinery

Mr. Christian Kunz

Sales Manager

Phone no.: +49 7175 99806-86

E-mail: ChristianKunz@moessner-kq.de

Mr. Michael Munz

Technical sales Germany/Austria/Switzerland

Phone no.: +49 7175 99806-11

E-mail: MichaelMunz@moessner-kq.de

Mr. Simon Lojewski

Technical sales International

Phone no.: +49 7175 99806-82

E-mail: SimonLojewski@moessner-kq.de

Mr. Jorge Ruelas

Technical sales International

Phone no.: +49 7175 99806-302

E-mail: JorgeRuelas@moessner-kq.de

Sales spare parts

Ms. Simone Markowetz

Phone no.: +49 7175 99806-43

E-mail: SimoneMarkowetz@moessner-kq.de







Ms. Eva Krieg

Phone no.: +49 7175 99806-64

E-mail: EvaKrieg@moessner-kq.de

OUR PARTNERS



<p>China</p>  <p>Mössner in China</p>	<p>Mössner Automation Technology Co. Ltd. Room 525, NO. 105 Huadu Building, Changjiang North Road, Zhoushi Town Kunshan, Jiangsu Province 215311, China Phone +86-173 9791 1527, xinxinlian@moessner-china.com, www.moessner-china.com</p>
<p>Switzerland</p>  <p>SPRINGMANN Werkzeugmaschinen / Machines-outils</p>	<p>Springmann Neuchâtel Route des Falaises 110, 2008 Neuchâtel, Switzerland Phone +41 32 729 1122, Fax +41 32 725 0101 neuchatel@springmann.ch www.springmann.com/f/homepage.php</p> <p>Springmann Niederbüren Staatsstraße 10, 9246 Niederbüren Switzerland Phone +41 71 424 2600, Fax +41 71 424 2660 niederburen@springmann.ch</p>
<p>Netherlands</p>  <p>VANHOORN MACHINING</p>	<p>Van Hoorn Machining De Run 4338, 5503 LN Veldhoven, Netherlands Phone: +31 40-2540907, Fax: +31 40-2546788 info@vanhoornmachining.com, www.vanhoornmachining.com</p>
<p>Sweden</p>  <p>SYSTEM / VERKTYG</p>	<p>AB Systemverktyg Johan Skyttes väg 201, 125 34 Älvsjö, Sweden Phone +46-8999200, Fax +46-87492815 http://www.systemverktyg.se/</p>
<p>Spain</p>  <p>HOSSL</p>	<p>Hossl, Hermann Otto Suderow, S.L Las Mercedes 31, 1º, dpto. 10, Edificio Abra 3 48930 Las Arenas, Vizcaya, Spain Tel. +34 94 480 00 18, Fax +34 94 431 61 35 info@hossl.com, www.hossl.com</p>
<p>Mexico</p>  <p>Mössner in Mexico</p>	<p>Mössner Foundry Automation S.de R.L. de C.V. Av. Hercules 400 Int. 15, Parque Poligono Empresarial Santa Rosa Jáuregui Querétaro, Qro. C.P. 76220, Mexico Phone +49 7175 99806-30 JorgeRuelas@moessner-kq.de, www.moessner-kq.de</p>



OVERVIEW BANDSAWS MÖSSNER REKORD PRODUCT PORTFOLIO

Bandsaw type	Cutting speed m/min.	Standard tables		Max. Throat		Sizes Bandsaw mm	Motor power kW
		Size mm	Load max. kg	Height mm	Width mm		
SSF 420 4-speed transmission	12-2000	600 x 600	150	230	410	L 1215 W 750 H 1860	2,2
SSF 520 2-speed transmission	22-150 and 338-2280	740 x 785	250	520	510	L 1565 W 970 H 2400	5,5
Flange bearing	500-2000						
SSF 630 2-speed transmission	27-142 and 410-2200	740 x 785	250	460	605	L 1820 W 970 H 2550	5,5
Flange bearing	500-2000						
SSF 630 reinforced design 2-speed transmission	30-180 and 342-2000	740 x 785	250	460	605	L 1820 W 970 H 2550	11
Flange bearing	500-2000						
SSF 801 2-speed transmission	26-180 and 290-2000	960 x 1000	750	670	785	L 2240 W 1080 H 2900	11
Flange bearing	500-2000						
SSF 1600 2-speed transmission	22-150 and 338-2280	740 x 785	250	400	1600	L 3100 W 1060 H 2150	5,5
Flange bearing	500-2000						

STEEL AND METAL BANDSAW MACHINES

MÖSSNER REKORD SSF 420



Technical details:

- Bandsaw machine column in stable grey cast construction
- Cutting speed adjustable via frequency converter and three-phase motor with potentiometer
- 4-speed manual transmission
- Sawblade tension indication
- Tilttable work-table – 30 ° to the right, 15 ° to the left
- Exchangeable aluminium wheels with hard rubber coating
- Upper wheel adjustable
- Safety door switches on wheel doors
- Saw blade guide selectable: 1 set of jaw guides or 1 set of roller guides
- Possible tape dimensions: min. 6 mm x 0,9 mm to max. 13 mm x 0,9 mm
- Saw blade length 3200 mm
- 1 bi-metal saw blade
- 1 tool set
- The technical execution of our product complies with the machinery directive 2006/42/EG and is provided with CE mark
- Complete electrical design according to VDE
- Paint: RAL 7035 light grey, doors RAL 5005 signal blue

Technical specifications:

Voltage:	Volt/Hertz	400/50
(Other voltages at extra charge)		
Cutting speed range:	m/min	12-2000
Wheel diameter:	mm	420
Table size:	mm	600 x 600
Table height:	mm	1020
Max. table payload:	kg	150
Cutting width:	mm	410
Cutting height:	mm	230
Motor power:	kW	2,2
	Volt/Hertz	230/400/50
	1/min	1500
Dimensions L x W x H:	mm	1215 x 750 x 1860
Net weight approx.:	kg	680

STEEL AND METAL BANDSAW MACHINES

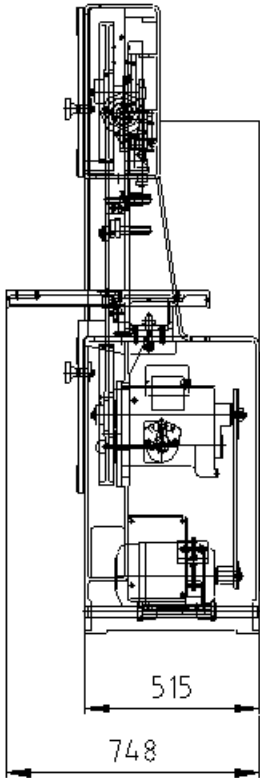
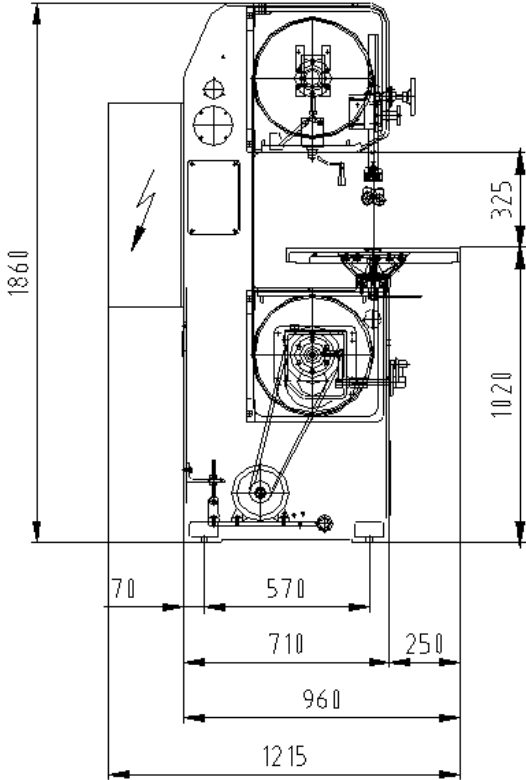
MÖSSNER REKORD SSF 420



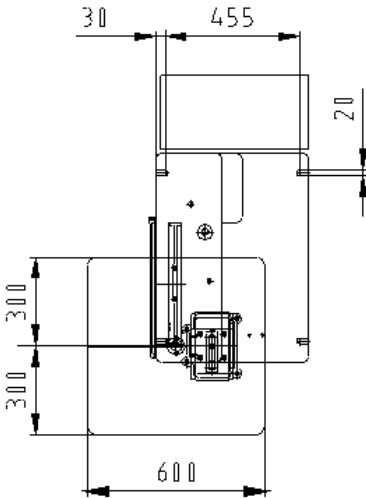
Product pictures / drawings



Machine with special equipment



Top view



STEEL AND METAL BANDSAW MACHINES

MÖSSNER REKORD SSF 520



Technical details:

- Bandsaw machine column in stable grey cast construction
 - Cutting speed adjustable via frequency converter and three-phase motor with potentiometer, 2-speed manual transmission *or* cutting speed infinitely variable with flange bearing and frequency converter
 - Manual sawblade tension device with hydraulic indication
 - Tilttable work-table – 30 ° to the right, 15 ° to the left
 - Exchangeable aluminium wheels with hard rubber coating
 - Upper wheel adjustable
 - Safety door switches on wheel doors
 - Saw blade guide selectable: 1 set of jaw guides or 1 set of roller guides
- Possible saw blade dimensions:
- Manual transmission: min. 6 mm x 0,9 mm to max. 20 mm x 0,9 mm
- Flange bearing: min. 6 mm x 0,9 mm to max. 27 mm x 0,9 mm
- Saw blade length 4600 mm
 - 1 bi-metal saw blade
 - 1 tool set
 - The technical execution of our product complies with the machinery directive 2006/42/EG and is provided with CE mark
 - Complete electrical design according to VDE
 - Paint: RAL 7035 light grey, doors RAL 5005 signal blue

Technical specifications:

Voltage:	Volt/Hertz	400/50
(Other voltage at extra cost)		
Cutting speed range transmission:	m/min.	22-150 and 338-2280
Cutting speed range flange bearing:	m/min.	500 - 2000
Wheel diameter:	mm	520
Table size:	mm	740 x 785
Table height:	mm	1058
Max. table payload:	kg	250
Cutting width:	mm	510
Cutting height:	mm	520
Motor power:	kW	5.5
	Volt/Hertz	400/690/50
	1/min	1500
Dimensions L x W x H:	mm	1565 x 970 x 2400
Net weight approx.:	kg	1100

STEEL AND METAL BANDSAW MACHINES

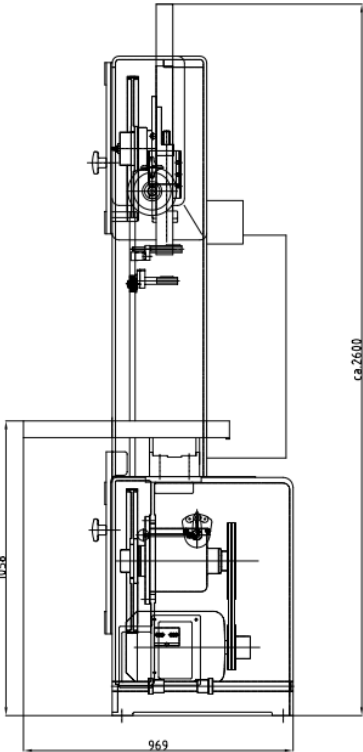
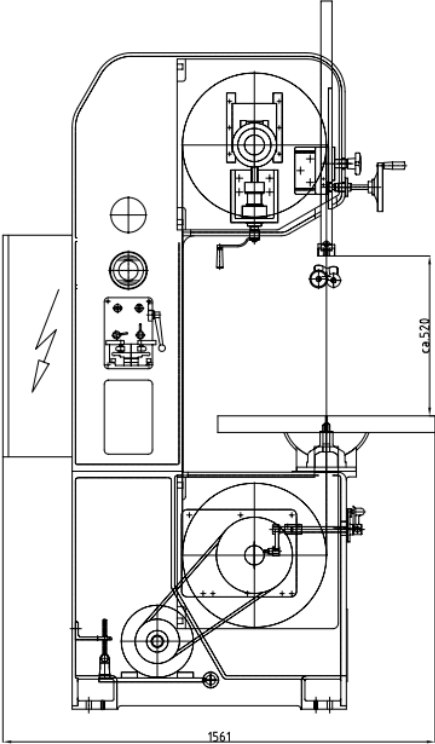
MÖSSNER REKORD SSF 520



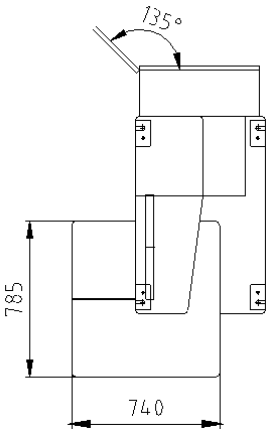
Product pictures / drawings



Picture shows special equipment



Top view



STEEL AND METAL BANDSAW MACHINES

MÖSSNER REKORD SSF 630



Technical details:

- Bandsaw machine column in stable steel construction
- Cutting speed adjustable via frequency converter and three-phase motor with potentiometer, 2-speed manual transmission *or* cutting speed infinitely variable with flange bearing and frequency converter
- Manual sawblade tension device with hydraulic indication
- Tilttable work-table – 30 ° to the right, 15 ° to the left
- Exchangeable aluminium wheels with hard rubber coating
- Upper wheel adjustable
- Safety door switches on wheel doors
- Saw blade guide selectable: 1 set of jaw guides or 1 set of roller guides
- Possible saw blade dimensions:
Manual transmission: min. 6 mm x 0,9 mm to max. 20 mm x 0,9 mm
Flange bearing: min. 6 mm x 0,9 mm to max. 27 mm x 0,9 mm
- Saw blade length 5180 mm
- 1 bi-metal saw blade
- 1 tool set
- The technical execution of our product complies with the machinery directive 2006/42/EG and is provided with CE mark
- Complete electrical design according to VDE
- Paint: RAL 7035 light grey, doors RAL 5005 signal blue

Technical specifications:

Voltage:	Volt/Hertz	400/50
(Other voltage at extra cost)		
Cutting speed range transmission:	m/min.	27-142 and 410-2200
Cutting speed range flange bearing:	m/min.	500-2000
Wheel diameter:	mm	630
Table size:	mm	740 x 785
Table height:	mm	1125
Max. payload table:	kg	250
Throat width:	mm	605
Throat height:	mm	460
Motor power:	kW	5,5
	Volt/Hertz	400/690 / 50
	1/min	1500
Dimensions L x W x H:	mm	1820 x 970 x 2550
Net weight approx.:	kg	1750

Optionally: Bandsaw in reinforced design

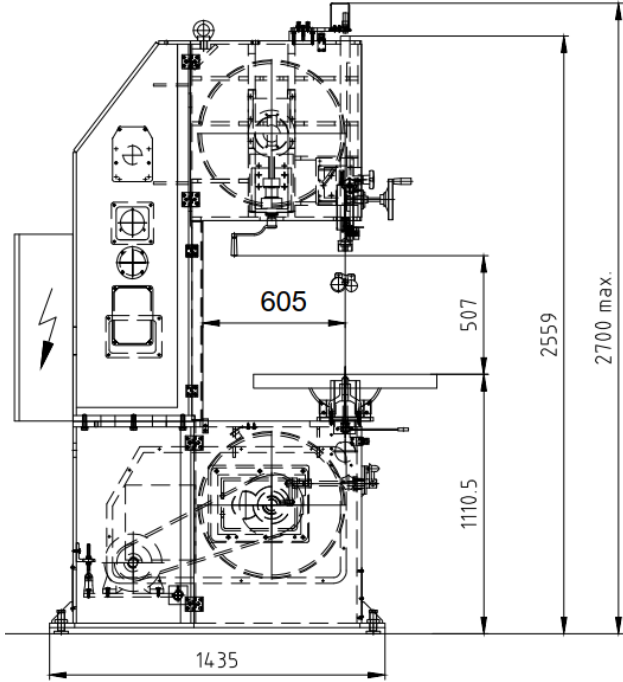
- Drive: 11 kW
- Sawblade width: min. 13 mm x 0,9 mm to max. 34 mm x 1,1 mm
- Reinforced flange bearing and reinforced hydraulically driven slide for sawblade tension

STEEL AND METAL BANDSAW MACHINES

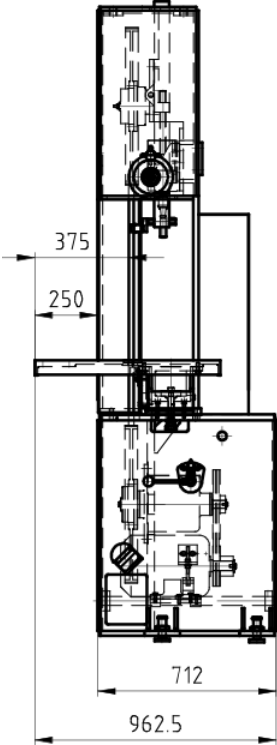
MÖSSNER REKORD SSF 630



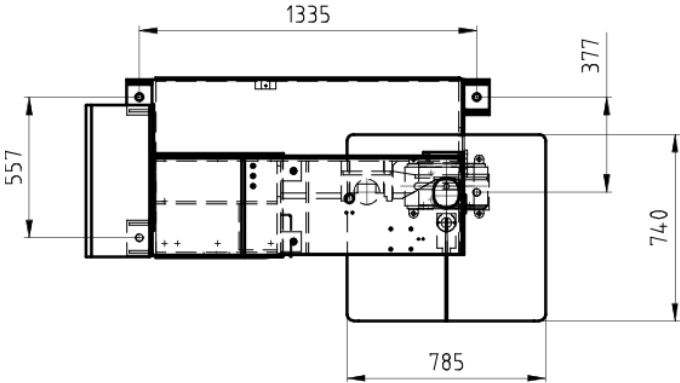
Product pictures / drawings



Picture shows special equipment



Top view



STEEL AND METAL BANDSAW MACHINES

MÖSSNER REKORD SSF 801



Technical details:

- Bandsaw machine column in stable grey cast construction
- Cutting speed adjustable via frequency converter and three-phase motor with potentiometer, 2-speed manual transmission *or* cutting speed infinitely variable with flange bearing and frequency converter
- Manual sawblade tension device with hydraulic indication
- Tilttable work-table – 30 ° to the right, 15 ° to the left
- Exchangeable aluminium wheels with hard rubber coating
- Upper wheel adjustable
- Safety door switches on wheel doors
- Saw blade guide selectable: 1 set of jaw guides or 1 set of roller guides
- Possible saw blade dimensions: min. 13 mm x 0,9 mm to max. 34 mm x 1,1 mm
- Saw blade length 5800 mm
- 1 bi-metal saw blade
- Emergency push-button
- The technical execution of our product complies with the machinery directive 2006/42/EG and is provided with CE mark
- Complete electrical design according to VDE
- Paint: RAL 7035 light grey, doors RAL 5005 signal blue

Technical specifications:

Voltage:	Volt/Hertz	400 / 50
(Other voltage at extra cost)		
Cutting speed range transmission:	m/min.	26-180 and 290-2000
Cutting speed range flange bearing:	m/min.	500-2000
Wheel diameter:	mm	800
Table size:	mm	960 x 1000
Table height:	mm	1130
Max. table payload:	kg	750
Cutting width:	mm	785
Cutting height:	mm	670
Motor power:	kW	11
	Volt/Hertz	400/690/50
	1/min	1500
Dimensions L x W x H:	mm	2240 x 1080 x 2900
Net weight approx.:	kg	2300

STEEL AND METAL BANDSAW MACHINES

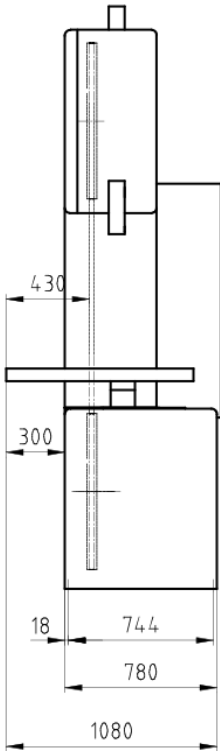
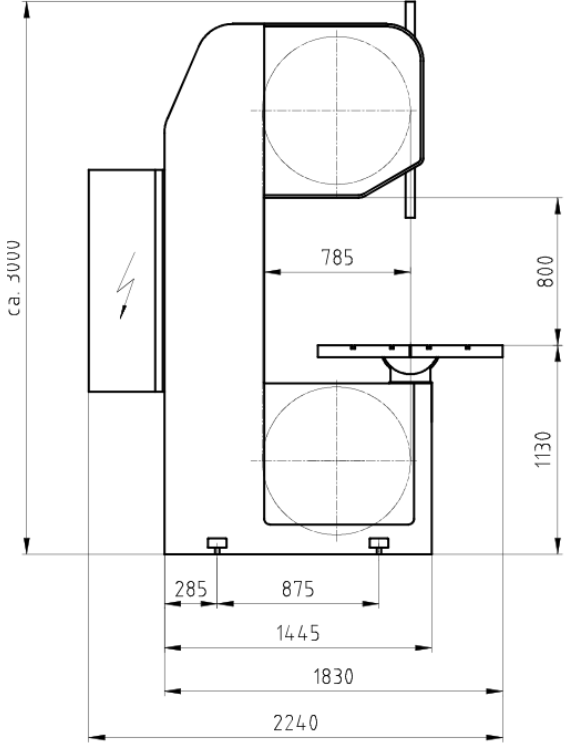
MÖSSNER REKORD SSF 801



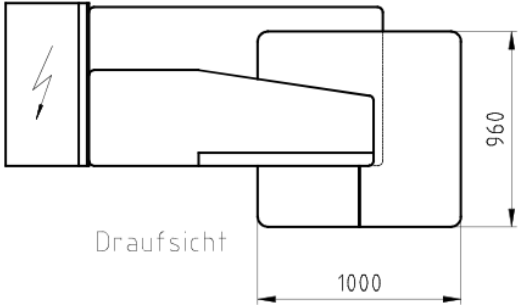
Product pictures / drawings



Picture shows special equipment



Top view



Draufsicht



Technical details:

- Bandsaw machine column in stable steel construction
- Cutting speed adjustable via frequency converter and three-phase motor with potentiometer, 2-speed manual transmission *or* cutting speed infinitely variable with flange bearing and frequency converter
- Manual sawblade tension device with hydraulic indication
- Tilttable work-table – 30 ° to the right, 15 ° to the left
- Exchangeable aluminium wheels with hard rubber coating
- Upper wheel adjustable
- Safety door switches on wheel doors
- Swiveling control panel
- Saw blade guide selectable: 1 set of jaw guides or 1 set of roller guides

Possible saw blade dimensions:

Manual transmission: min. 6 mm x 0,9 mm to max. 20 mm x 0,9 mm

Flange bearing: min. 6 mm x 0,9 mm to max. 27 mm x 0,9 mm

- Saw blade length 6635 mm
- 1 bi-metal saw blade
- 1 tool set
- The technical execution of our product complies with the machinery directive 2006/42/EG and is provided with CE mark
- Complete electrical design according to VDE
- Paint: RAL 7035 light grey, doors RAL 5005 signal blue

Technical specifications:

Voltage:	Volt/Hertz	400/50
(Other voltage at extra cost)		
Cutting speed range transmission:	m/min.	22-150 and 338-2280
Cutting speed range flange bearing:	m/min.	500-2000
Wheel diameter:	mm	520
Table size:	mm	740 x 785
Table height:	mm	970
Max. payload table:	kg	250
Cutting width:	mm	1600
Cutting height:	mm	400
Motor power:	kW	5,5
	Volt/Hertz	400/690/50
	1/min	1500
Dimensions L x W x H:	mm	3100 x 1060 x 2150
Net weight approx.:	kg	1850

STEEL AND METAL BANDSAW MACHINES

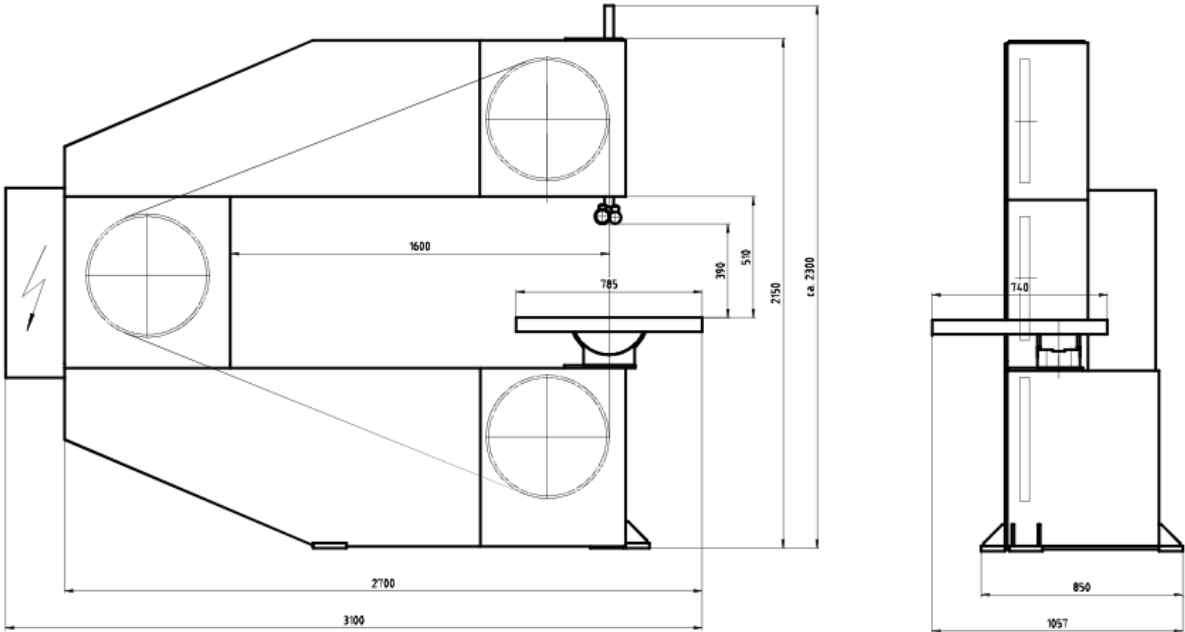
MÖSSNER REKORD SSF 1600



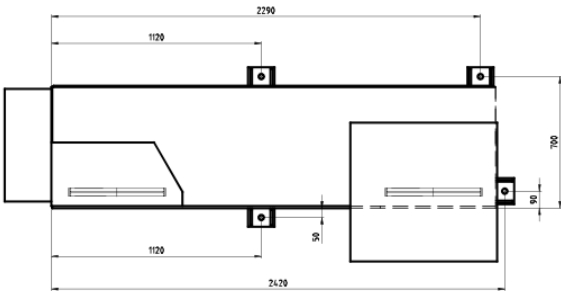
Product pictures / drawings



Picture shows special equipment



Top view



Butt welder

Butt welder EBS for sawblades, incl. shear and grinding motor.

Available EBS types:

- ⇒ For bandsaw type SSF 420:
EBS16 for **max. 13 mm sawblade width**

- ⇒ For bandsaw types SSF 520, SSF 630, SSF 1600:
EBS 25 for **max. 20 mm sawblade width**



Electronic annealing function for welding unit

Electronic annealing function for continuous setting of the annealing voltage for convenient treatment of the weld (for voltage until 400 Volt, 50 Hertz)

SAWBLADE GUIDANCE

(dimensions depending on sawblade)

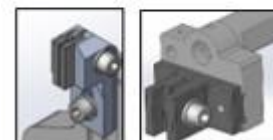
Jaw guides with inserts

Bracket jaw guides bottom and top including carbide-tipped guide inserts for bracket jaw guides



Inserts for jaw guides

Carbide-tipped guide inserts for jaw guides



Roller guides

Roller guides including guide rollers used for cutting speeds starting at 250 m/min.



Guide rollers

1 set = 2 pieces with rim, 2 pieces without rim



SAFETY EQUIPMENT

Emergency push-button

Additional foot switch on the lower part of the machine for emergency stop.



Magnetic brake upper wheel

Automatic braking of the upper wheel by magnetic brake, in case of loss of tension or saw blade breakage.

When applying the magnetic brake upper wheel for a SSF 420, a Manual saw band tensioning device with hydraulic indicator is also required.

HELPFUL EQUIPMENT

Straight cutting device

(not available with feed table)

The straight cutting device is placed on the worktable with 4 pins.

The feed is manual. By means of a mitre-adjustable feed angle and an adjustable cross-cut fence, cuts can be made at an angle of up to 45° and in lengths of up to 230 mm. The cutting depth can also be limited with another adjustable stop.

Technical data:

Size: 400 x 400 mm

Feed way: 240 mm



HELPFUL EQUIPMENT

Parallel ledger

Parallel ledger consisting of:

- Scaled guide bar
- Guide cone with clamping
- Stopper lineal
- Maximum adjustment range of ledger:

Type SSF 420 up to 290mm

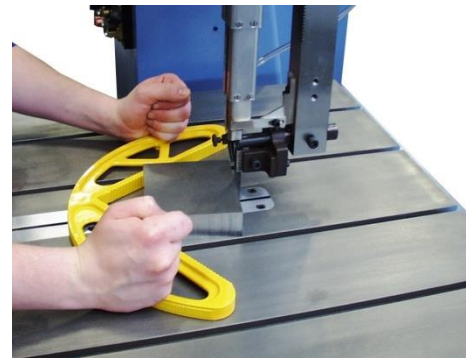
Type SSF 520/SSF 630/SSF 1600 up to 390mm

Type SSF 801 up to 550mm



Workpiece holder

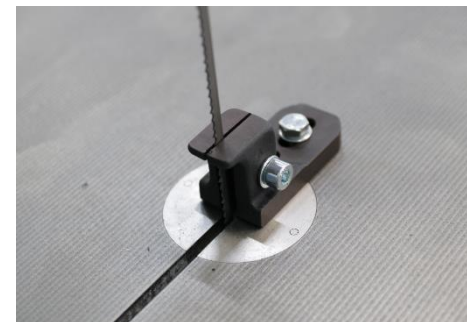
Workpiece holder for safe and exact guiding of the workpiece.



Cutting support device

The cutting support device is used to cut thin sheets with thickness up to approx. 6 mm.

Due to the small contact surface the sheet is prevented from vibrating and thus minimises the risk that teethes of sawblade break.



FEED TABLES STANDARD BANDSAW MACHINES

Feed tables

- Feed table with 4 T-grooves
- Feed way depending on machine type
- Work table inclinable, to the right side approx. 8° and to the left side approx. 14°
- Instead of usual table execution

Available versions:

- Manual feed table with locking mechanism (not available for type SSF 801)
- Manual feed table with lead screw
- Electric feed table with servo motor and ball screw

If an electric feed table is selected, the SSF 420 band saw machine is supplied incl. manual band tensioning device with hydraulic display. From size SSF 520 onwards, this device is serially included in the band saw.

<u>Feed way / Table sizes:</u>	Feed way approx.	Table size approx.
SSF 420	230 mm	600x700 mm
SSF 520, SSF 630, SSF 1600	350 mm	830x790 mm

Tables in other sizes can be quoted on request.

Examples:



Manual feed table SSF 420, with lead screw



Electric feed table SSF 420

SPECIAL EQUIPMENT FEED TABLES

One-axis-positioning control for electrical feed tables

The desired feed length is entered via keyboard. The actual value is shown on the digital display. A resolver is used for electronic routing. The feed movement is switched off automatically when the pre-set measurements are reached.

A maximum of 10 programs with 10 lines each can be stored.

OTHERS

LED lamp

LED lamp for lighting of the working area.



Minimum spray device

Lubrication of the saw band by a minimum spray device.

Consisting of:

- 1 spray head
- Pressure container for 1 l content (lubricant not included)



Manual saw band tensioning device with hydraulic indicator

(only for SSF420 - included in model SSF 520 and up)

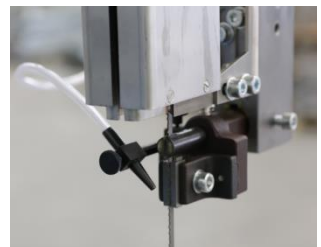
Manual saw band tensioning device with hydraulic indicator, instead of the usual saw band tension indicator, including switching off the drives in case of saw band breakage.



Blowing off device

Blowing off chips at the sawblade.

Pressure air provided by customer.



OTHERS

Alignment with laser

For exact positioning a laser beam projects a laser beam on the surface of the workpiece. This beam points out the cutting channel.

Used laser:

Helium-neon-laser with a prefixed line-optic, not dangerous for the eye (corneal reflex).



Swivelling control panel

(included in type SSF 1600)

Control panel with two pivotal points:

- Pivotal point 1 at the saw throat
- Pivotal point 2 at the operator's panel

The most important operating keys are integrated in the control panel. The main switch remains in the control cabinet.

Height of bottom edge operator's panel 1400 mm.



Hydraulic sawblade tension

- Tension is activated by push button
- Should the saw blade tension loosen, the preset sawblade tension resets automatically
- When the machine is turned off, residual tension remains, to prevent the saw blade from sliding off the wheel

Connection piece for suction

Suction of chips at two points: lower sawblade guidance and lower wheel-box. Joined to 1 suction point for connection to suction system (by customer).

Design:

- Funnel with connection pieces under the working table, at the lower sawblade guidance
- Connection pieces in the lower wheel-box
- Housing of the drive wheel



STEEL AND METAL BANDSAW MACHINES

SPECIAL EQUIPMENT



OTHERS

Suction unit

(Suitable for SSF 420, 520, 630, for SSF 801 on request)

Suction of dust, chips, granulate and fibres

Design:

- Movable dust remover 170 l
- Rectangular design
- Filter category M
- With manual filter cleaning -
Connection spigot DN 140 mm



Special paint

Special paint other than standard

Enlarged throat of height only for SSF630 available

Enlarged throat of height by 250 mm to 710 mm

Special voltage

Special voltage for butt welder

STEEL AND METAL BANDSAW MACHINES



PRICE LIST BANDSAW MACHINES

Valid from July 1, 2023, to December 31, 2023

Bandsaw Type	Price EUR without butt welder, shear and grinding motor	Price EUR with butt welder, shear and grinding motor
SSF 420	18.560,00	20.780,00
SSF 520 shift transmission	28.390,00	30.750,00
SSF 520 flange bearing	27.590,00	29.950,00
SSF 630 shift transmission	35.760,00	38.120,00
SSF 630 shift transmission reinforced design 11 kW	46.710,00	on request
SSF 630 flange bearing	34.960,00	37.320,00
SSF 630 flange bearing reinforced design 11 kW	43.760,00	on request
SSF 801 shift transmission	61.450,00	on request
SSF 801 flange bearing	58.500,00	on request
SSF 1600 shift transmission	42.590,00	44.950,00
SSF 1600 flange bearing	41.790,00	44.150,00

Max. sawblade width butt welder:

⇒ For type SSF 420:

EBS 16 for **max. 13 mm** sawblade width

⇒ For types SSF 520, SSF 630, SSF 1600: EBS 25 for **max. 20 mm** sawblade width

Packaging bandsaw machines

Bandsaw Type	Price EUR Packaging / crate	Price EUR Seaworthy packaging
SSF 420	330,00	890,00
SSF 520	490,00	1.380,00
SSF 630	820,00	2.070,00
SSF 801	960,00	2.320,00
SSF 1600	1.150,00	on request

STEEL AND METAL BANDSAW MACHINES

PRICE LIST SPECIAL EQUIPMENT

Valid from July 1, 2023, to December 31, 2023



Sawblade guidance (dimensions depending on sawblade)	Bandsaw type	Price EUR
Jaw guides including carbide-tipped guide inserts, available in different sizes	SSF 420	505,00
	SSF 520, SSF 630, SSF 1600	580,00
Carbide-tipped guide inserts for jaw guides, available in different sizes, price per pair	All types	108,00
Roller guides including guide rollers	SSF 420	880,00
	SSF 520, SSF 630, SSF 1600	1.120,00
Guide rollers, price per set (1 set = 2 pcs. with rim, 2 pcs. without rim)	SSF 420	560,00
	SSF 520, SSF 630, SSF 1600	720,00
Guidance rings, price per set (1 set = 2 pcs. with rim, 2 pcs. without rim)	SSF 520, SSF 630, SSF 1600	490,00
	SSF 801	490,00

Wheels	Bandsaw type	Price EUR
Exchangeable aluminium wheels with vulcanized hard rubber coating, price per piece	SSF 420	430,00
	SSF 520, SSF 1600	490,00
	SSF 630, SSF 801	1.370,00
Credit for worn wheels, if still usable and returned free of charge (per piece).	SSF 420	155,00
	SSF 520, SSF 1600	205,00
	SSF 630, SSF 801	845,00

Safety equipment	Bandsaw type	Price EUR
Emergency push-button (included in SSF 801)	All types	250,00
Safety magneto brake for undriven wheel	SSF 420, SSF 520, SSF 630	920,00
	SSF 801	2.075,00
	SSF 1600	1.840,00

STEEL AND METAL BANDSAW MACHINES

PRICE LIST SPECIAL EQUIPMENT

Valid from July 1, 2023, to December 31, 2023



Helpful equipment	Bandsaw type	Price EUR
Straight cutting device (not available with feed table)	All types	1.170,00
Parallel ledger	All types, except SSF 801	595,00
Parallel ledger, one-side bearing	SSF 801	2.550,00
Workpiece holder	All types	130,00
Cutting support device (without guide insert)	All types	87,00

Feed tables with 4 T-grooves Instead of standard table	Bandsaw type	Price EUR
Manual feed table with fixing (not available for type SSF 801)	SSF 420 230mm feed way	3.320,00
	SSF 520, SSF 630, SSF 1600 350mm feed way	4.660,00
Manual feed table with lead screw	SSF 420 230mm feed way	4.710,00
	SSF 520, SSF 630, SSF 1600 350mm feed way	6.620,00
Electric feed table with servo motor and ball screw	SSF 420 230mm feed way	9.890,00
	SSF 520, SSF 630, SSF 1600 350mm feed way	11.360,00
Feed tables in other sizes		on request
One-axis-positioning control for electrical feed tables	All types	4.160,00

STEEL AND METAL BANDSAW MACHINES

PRICE LIST SPECIAL EQUIPMENT

Valid from July 1, 2023, to December 31, 2023



Other equipment	Bandsaw type	Prices EUR
LED lamp	All types	320,00
Minimum spray device (lubricant not included)	All types	2.490,00
Special grease lubricant in 10 l package - price per litre 29,50 EUR (graduated prices available on request)	All types	295,00
Manual saw band tensioning device with hydraulic indicator	SSF 420 (incl. in SSF 520 and up)	780,00
Electronic annealing function for welding unit (for voltage until 400 Volt, 50 Hertz)	All types, except SSF 801	485,00
Blowing off device	All types	220,00
Alignment with laser)	All types	1.030,00
Swivelling control panel	SSF 520, SSF 630, SSF 801, SSF 1600	2.220,00
Hydraulic sawblade tension	SSF 520, SSF 630, SSF 801	5.590,00
Connection piece for suction	SSF 420, SSF 520, SSF 630, SSF 801	1.640,00
Suction unit	SSF 420, SSF 520, SSF 630, SSF 801, SSF 1600	10.920,00
Special colour (instead of standard machine colour)	SSF 420	410,00
	SSF 520	540,00
	SSF 630, SSF 801	680,00
	SSF 1600	830,00
Enlarged throat of height by 250 mm to 710 mm	Only available for SSF 630	2.550,00
Special voltage (additional price)	All types	410,00
Special voltage for butt welder (additional price)	All types	610,00

Sawblades	Bandsaw type	Prices EUR
Depending on material to be cut	All types	on request

Analysieren. Entwickeln. Machen.



Casting Technology

Sawing, Decoring, Deburring, Cooling, Finishing

Aluminium Technology

Sawing of Slabs, Blocks and Sheets

Bandsaw Machines

Standard Bandsaws and Individual Solutions

Nuclear Technology

Dismantlement of Nuclear Installations

August Mössner GmbH + Co. KG

Hohenstaufenstraße 3
73569 Eschach, Germany
Phone +49 (0)7175/99806-0
Fax +49 (0)7175/99806-35
www.moessner-kg.de
post@moessner-kg.de